



HATSAN
ARMS COMPANY

Serious. Solid. Impact.



* Scope sold separately.

AIR  **MAX**

Hatsan AirMax Series Instruction Manual

INSTRUCTION MANUAL

PLEASE READ THIS MANUAL BEFORE USING YOUR AIR GUN

Thank you for choosing the Hatsan Airmax PCP air rifle.

Always use caution when operating this rifle. Learn and obey the laws of your local municipality, state, and/or country. Demonstrate responsibility while using this air rifle. **Please read this manual completely before handling or shooting your air gun.** It is the sole responsibility of the user to operate this air gun properly and safely.

Warning!

- 1. Each Hatsan PCP air rifle contains pressurized air and should only be dismantled by a competent gunsmith. Do not attempt to dismantle the rifle if the rifle is partially or fully charged, except for removal and replacement of the air cylinder. Otherwise serious damage/injury/death may be caused to you or others. The air rifle may also become damaged. Never shoot the rifle when the air cylinder is removed or empty as this may damage your rifle. Never attempt to dismantle the air cylinder parts or air gauge when the air cylinder is fully or partially charged. Serious injury/death/damage may result if these instructions are ignored because pressurized air is in the air cylinder.**
- 2. Use only factory manufactured pellets that are no longer than the thickness of the rifle's magazine. Do not use BB ammunition with your rifle.**
- 3. Hatsan PCP air rifles are designed specifically for use with dry compressed air. NO OTHER GAS OR GAS COMBINATION CAN BE USED.**

The rifle may be filled from a diver's bottle or a suitable compressor.

MAXIMUM SAFE WORKING PRESSURE (SWP): 200 BAR.

GENERAL INSTRUCTIONS

The Hatsan Airmax air rifle is not equipped with open sights, so a rail-mounted optic is recommended for use. Before using your new air rifle check that it is fully charged and abide the following basic safety rules:

Basic Safety Rules:

1. Treat every rifle as if it is loaded.
2. Never point the rifle at anyone, or allow anyone to point a rifle at you, even if you know it is not loaded.
3. Do not brandish or display this product in public – as it may confuse people and could be mistaken as a firearm.
4. Always carry the rifle so that the direction of the muzzle is under control, even if you stumble.
5. Always be sure of your target and what lies behind it before firing your rifle – this product may be dangerous up to 650 yards.
6. Beware of targets that tend to cause ricochets.
7. Never leave a loaded rifle unattended.
8. It is compulsory that eye & ear protection is worn when charging the cylinder and when shooting.
9. This is a high-powered airgun for use by those 16 years of age or older.

Section I. SPECIFICATIONS

Hatsan Airmax PCP rifle has a 10-shot magazine in .177 (4.5mm) and .22 (5.5mm) caliber and a 9-shot magazine in .25 (6.35mm) caliber. It is a pre-charged, manual-loading, pneumatic air rifle with detachable air cylinder tube.

Hatsan Airmax Specifications:

Barrel Length	23.0" (585mm)
Overall Length	37" (940mm)
Weight	10.8 lbs (4.9kg)
Maximum cylinder fill pressure	200 Bar

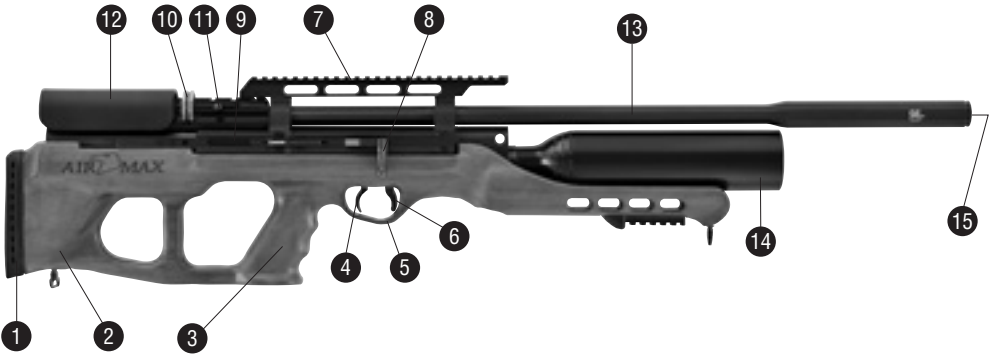
Maximum Muzzle Velocity/Energy:

1170fps (355m/s) in .177 cal. (4.5mm) - Energy 36Joules / 27ft.lbs
1070fps (325m/s) in .22 cal. (5.5mm) - Energy 51Joules / 38ft.lbs
970fps (295m/s) in .25 cal. (6.35mm) - Energy 57Joules / 42ft.lbs

** Above maximum muzzle velocity figures may differ depending on the pellet weight & shape.

* The energy restriction of a particular country can be achieved by the reduction in the muzzle velocity. The above maximum velocity figures are obtained when there is no energy restriction on the air rifle and when measured at optimum pressure value in the air tube. As a nature of unregulated PCP air rifles the velocity starts lower at maximum pressure level in the air tube, then starts to increase and gets to the maximum at optimum pressure value in the air tube; and then it starts to decrease again as the pressure in the air cylinder gets low.

Section II. BASIC PARTS OF YOUR GUN



- | | | |
|------------------|-------------------|---------------------------|
| 1. Butt Pad | 6. Safety Button | 11. Magazine Release Bolt |
| 2. Stock | 7. Scope Rail | 12. Cheek Piece |
| 3. Grip | 8. Cocking Handle | 13. Barrel with Shroud |
| 4. Trigger | 9. Receiver | 14. Air cylinder Tube |
| 5. Trigger Guard | 10. Magazine | 15. Muzzle |

Section III. MANUAL SAFETY

Safety button can be set to 'ON' and 'OFF' position manually.

- To set the safety to 'ON', pull safety lever to the rear. In this position, the trigger cannot be pulled and the gun cannot be fired. (Fig.1)
- To remove the safety to 'OFF', push safety lever forward. In this position, the gun is ready to shoot. (Fig. 2)

CAUTION: Until you are actually ready to shoot, keep the safety in the "ON" position (Fig. 1).



Fig. 1



Fig. 2

Section IV. QUATTRO TRIGGER

Your air rifle is equipped with a Quattro trigger, (Fig. 3). You can adjust the “trigger travel” & “trigger pull” as follows:

SCREW#1 is for trigger pull force adjustment. For less trigger pull force prior to discharge, rotate **SCREW#1** clockwise; and vice versa.

SCREW#2 is for trigger travel adjustment. For less trigger travel prior to discharge, rotate **SCREW#2** clockwise; and vice versa.

SCREW#3 is for adjusting the force to pull the trigger until the end of the 1st stage. When this is turned clockwise, this force increases; and vice versa.

* In order to access this adjustment, the adjustable butt pad must be pulled out slightly – See Section VI for instructions.

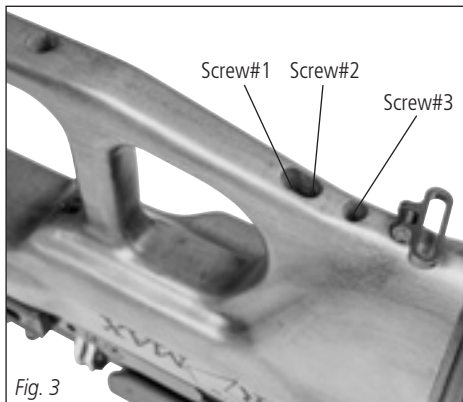


Fig. 3

NOTE: Make only small changes to one adjuster at a time. Over-adjusting can render the trigger inoperable and may create a dangerous situation!

Section VI. COMFORT ADJUSTMENTS

Comb Adjustment: The comb is adjustable for elevation. Simply press circular button on beneath comb and adjust the comb elevation suitable to your aiming position. (Fig. 4)



Fig. 4

Section VII. OPERATING INSTRUCTIONS

Warning!

1. Before filling the air cylinder; make sure the air rifle is not cocked, safety is in the ON position, no pellets are loaded in the air rifle and/or barrel and magazine is not mounted in the gun. If the air tube is completely empty; fill in air tube after cocking the gun and keeping the cocking handle/bolt open at the rear.
2. Take all safety measures before filling the air cylinder. It is compulsory for the user and bystanders to wear eye & ear protection when filling the air cylinder.
3. While filling in the air cylinder; the pressure in the air cylinder must be monitored from the air gauge of the hand pump or scuba charging kit. Do not look at the air gauge on the air cylinder during filling process. Instead, reference the gauge on your fill device.

Charging the Rifle: Fit the filler nozzle to the air-line of the charging equipment, which must incorporate a pressure gauge. Ensure both filler nozzle and rifle filler hole are clear from dirt and gently push the nozzle into the filler hole. (Fig.5) Fill the rifle to the cylinder pressure quoted previously in this manual. Do not exceed the maximum fill pressure as this will reduce the velocity of the rifle and may damage rifle components. When using the diver's bottle, refill the rifle slowly to prevent the heat created by the filling process from damaging the rifles components. Undo the bleeder valve on the hose before disconnecting the fill nozzle from the rifle.



Loading the rifle & shooting

1. The magazine incorporates a raised boss on its rear face and can only be fitted one way to the rifle. It rotates clockwise when viewed from the rear of the rifle.
2. Load pellets through the rear of the magazine. (Fig. 6). Push the pellet noses through the retaining O-ring until their skirts lie flush or below the bottom of the magazine face.
3. To fit the magazine into the air rifle; pull the cocking handle backwards until it stops. (Fig. 7)

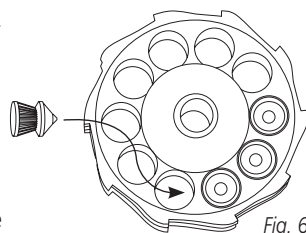


Fig. 6

THIS OPERATION COCKS THE TRIGGER MECHANISM/HAMMER ASSEMBLY. IF THE SAFETY IS SET TO OFF POSITION AND THE TRIGGER IS PULLED, THE RIFLE WILL DISCHARGE.

4. Push forward the magazine release bolt and slide it upward to lock. Insert the magazine into its slot from the right. (Fig. 7)
5. Unlock magazine release bolt by sliding it down and backwards. (Fig. 8). If necessary rotate the magazine counter-clockwise until its movement is arrested by the magazine stop.

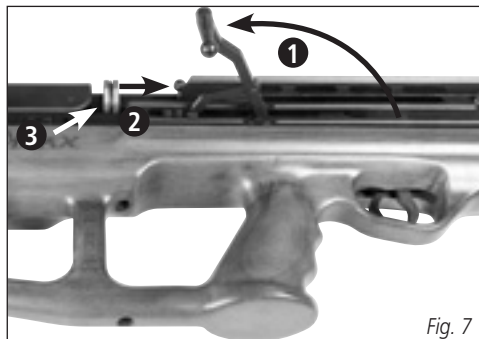


Fig. 7

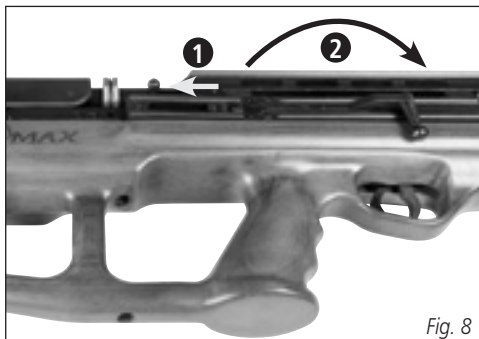


Fig. 8

DO NOT CLOSE THE COCKING HANDLE / MAGAZINE RELEASE BOLT UNTIL YOU ARE READY TO FIRE. ENSURE THE COCKING HANDLE IS FULLY CLOSED BEFORE FIRING THE RIFLE AS ITS PERFORMANCE WILL BE AFFECTED IF NOT FULLY CLOSED.

6. Close the cocking handle and ensure that it lays flat against the rifle. (Fig. 8)
7. Aim at your intended target and disengage the safety and prepare to shoot.
8. Pull the trigger gently and the rifle will fire.
9. To reload rifle, pull the cocking handle to its rear-most position. This will index the magazine and align the next pellet with the barrel. Then, repeat steps 5, 6, and 7.

NOTE: You cannot cock the rifle and index the next pellet in the magazine unless you shoot the previous pellet in the barrel. This is because of a feature which prevents more than one pellet being loaded in the barrel – as this may cause damage to the rifle.

Section VIII. MAINTENANCE

Warning!

Never attempt to disassemble this rifle when it is charged, except for removal and replacement of the air cylinder. Never fire the rifle when the air cylinder is removed or empty. Failure to obey this instruction could result in damage to your rifle.

Never lubricate inside the barrel as this will affect the accuracy & grouping of the rifle in negative manner. Occasionally apply proper mineral based oils sparingly to the following parts:

- The trigger mechanism
- The pellet probe
- The cocking lever sliding surface
- The stern of the magazine pin and the magazine release
- The magazine axis hole and the outer O-ring

DO NOT OVER-LUBRICATE THE RIFLE!

- It is recommended to clean the barrel with a cleaning rod every 500-1000 shots. Never lubricate inside the barrel.
- Before you begin oiling or cleaning your air gun, always check to make sure it is unloaded.
- Always be sure your gun barrel is clean and not blocked.
- After cleaning ensure that no cleaning patch or other obstruction remains in the barrel.
- Annually, take your air gun to a gunsmith even if it seems to be working well, since some issues in your gun may not be apparent from external examination.
- Take your air gun to a gunsmith if water, sand, etc. enters the internal mechanism of the air gun, for complete cleaning.
- Dangerous conditions may occur if you do not keep your air gun clean and working properly.

Quick Fill Nozzle O-Rings Replacement

After a period of time, the O-rings on the fill nozzle will need to be replaced. The need for this will become noticeable if air is heard leaking from the nozzle or the nozzle is ejected from the port while charging the rifle. Always ensure to replace both O-rings.

Magazine O-rings Replacement

The O-ring which retains the pellets in the magazine will need to be replaced after many hundreds of shots have been fired. Its replacement becomes apparent when the rifle's cocking lever becomes stiff to operate. Repositioning the O-ring in its groove may also overcome the stiffness. Lightly oil the replacement O-ring before fitting.

Safety Measures & Warnings

- This air gun will fire if cocked, loaded, safety disengaged and trigger pulled.
- Air guns are not toys. Never let young children use an air gun unsupervised. Adult supervision is strictly required during use. Misuse or careless use may cause serious injury or death.
- This is a high-powered airgun for use by those 16 years of age or older.
- Learn how your air gun operates and practice safe gun handling procedures before loading and using it.
- **ALWAYS USE EYE & HEARING PROTECTION AND MAKE BYSTANDERS USE THE SAME.** Failure to do so may result in eye injuries and permanent hearing loss.
- Do not point at anything you do not intend to shoot even though the gun is unloaded. Always keep the gun pointed in a safe direction.
- Never pull a gun toward you by the muzzle.
- Always aim at a safe target, taking care that it does not conceal any other object.
- Before you fire, consider where the pellet will travel should you miss your intended target, thus ensuring no damage or harm could result.
- Be sure of your target before you pull the trigger. Never shoot at sounds.
- When shooting, always have a safe shooting range, that is; have a safe area for shooting, a safe distance between

you and the target, and a safe backstop to trap the pellets and hold the target.

- Do not fire at a target, which allows ricochets or deflections. Do not fire into or at water.
- Do not fire at or near power lines or insulators. Be especially careful in wooded areas where power lines may not be as visible.
- Do not load the gun until you are ready to shoot.
- Always keep your fingers away from the trigger & muzzle during cocking and handling.
- Do not walk, run or jump when carrying a loaded or cocked air gun. A loaded or a cocked gun should never be carried inside a vehicle, house, camp or public place. Never climb a tree or fence or jump a ditch with a loaded gun. In such a case, first unload it and hand the gun to a friend or place it on the ground on the other side of the obstacle before crossing yourself.
- When transporting the gun, keep it unloaded and 'on safe'.
- Always keep the gun 'on safe' until you are ready to shoot even if the gun is unloaded.
- Do not put the gun away loaded and unattended.
- Always check to see if the gun is 'on safe' and unloaded when getting it from another person or from storage.
- Always keep the air gun and/or pellets out of the reach of children. Keep the air gun and pellets in separate places, better if under lock and key.
- Do not attempt to disassemble or tamper with your gun. Use a competent gunsmith. Many air guns contain powerful springs or high pressure air cylinders which can cause serious injury if released in an uncontrolled manner.
- Always handle and treat your gun as though it were loaded.
- Improper use or handling of air guns is not the responsibility of the manufacturer or distributor, under any circumstances. The user is responsible for any harm, which may be caused.
- Think first, fire second. Don't rely on any mechanical safety. Half safe is not safe.
- Be safe not sorry. Respect other's property.
- Air guns should never be used under the influences of alcohol or drugs.
- Do not brandish or display this product in public – it could confuse people and may be a crime.
- Do not change the coloration and markings to make it look more like a firearm.



HATSAN
ARMS COMPANY

www.hatsan.com.tr
www.hatsanusa.com



facebook.com/hatsan.com.tr



twitter.com/hatsan_arms



youtube.com/hatsanarms